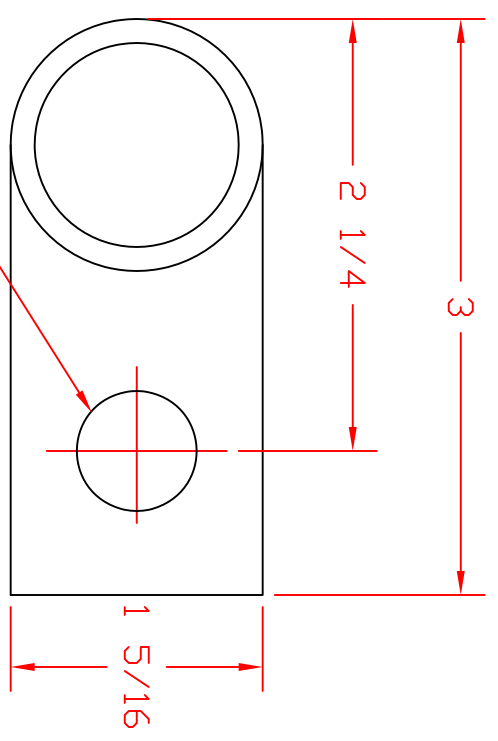
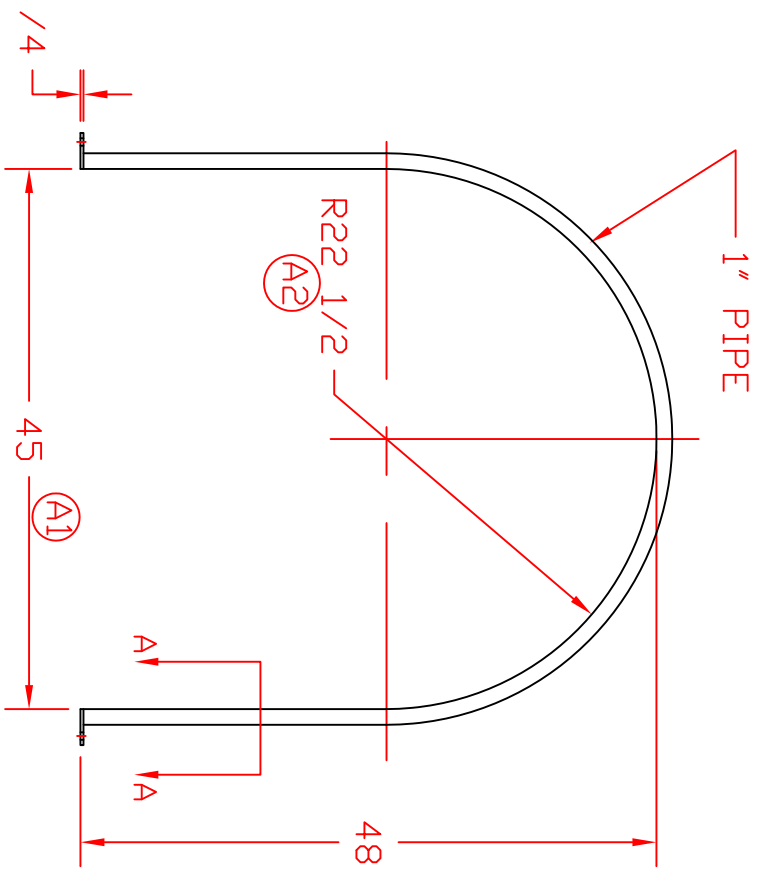


REVISIONS				
ZONE	REV	DESCRIPTION	DATE	APPROVED
	A	1,2--DIMS UPDATED	03AUG99	



VIEW A-A FULL SCALE

FINISH: HOT-DIPPED GALVANIZED

 ST. BONIFACIUS, MN BAND, 1010 LONG		JTP 8AUG96	SIZE A SCALE 1/16	FSCM NO. DWG NO. 60585	REV A
---	--	------------	----------------------	---------------------------	-------